

# Dixie-Narco®



Lawrence Street  
Ranson, West Virginia 25438

(304) 725-3481  
(800) 624-0553

## Service Bulletin # 291

Date: June 4, 1985  
Revised: June 28, 1988

INSTRUCTIONS: For Ardac MBA Downstacker Only

MODELS: DNCB Model Venders with beginning serial numbers listed hereon.

SUBJECT: Ardac Dollar Bill Validator Installation and Check Out Instruction.  
Manufacturers' Bill Acceptor - Universal Input Output

REASON: To advise that rectangular openings are being fabricated into the front of the main door of production venders so that the Ardac Validator can be installed.

IMPORTANT: The Ardac Validator covered on this bulletin has the LED lamp in the acceptor area. a. When "OFF", use \$Bills or Coins.  
b. When "ON", use Coins only.

NOTE: Service Started Shipping Ardac LED on June 22, 1987.  
Production Started Using Ardac LED on June 23, 1987.

LED: Plug LED lamp assembly into the Ardac OSW harness. See Pages 10 and 11.  
Procedure Applies to Retrofit Kits also.

1. See Function SW information, Page 8 before proceeding. Do not "plug in" Vender at this time. The Stacker is packaged separately in the vender. Slide it carefully onto the rails of the acceptor. Make sure it latches. Plug into Stacker electrically either side. See Fig. 1 Page 9.
2. Install a Coin Changer: For Ardac Validator Blue Box System-MBA-UIO

This: ~~#~~MARS 6200DH or ~~#~~TRC 6200H  
~~#~~MARS 6200CH or ~~#~~TRC 6200CH

~~#~~MARS 5800DH or ~~#~~TRC 6800H  
★ MARS 5802 or ~~#~~TRC 6800H

~~#~~MARS 5805DH or ~~#~~TRC 6800CH  
★ MARS 5807 or ~~#~~TRC 6800CH

★ COINTRON 525E-Also order adapter cord 5305626

★ MAKA US111A

★ See Page 10. - Uses T-Block

~~#~~ See Page 11. - Does Not Require T-Block

CAUTION: Read carefully the information listed under 1., 2., 3., and 4. (this page) relative to logos and beginning serial numbers.

1. RC, SEVEN-UP, AND ALL LOGO WHICH FORMERLY USED A FILLER PIECE ABOVE THE SELECT PANEL.
  - a. 79 1/2", 72", and 66" High x 37" Wide Venders - Use Ardac Downstacker  
Beginning Serial Number 0001-2805.
  - b. 72" and 66" High x 28" Wide Venders - Use Ardac Downstacker  
Beginning Serial Number 0001-2839.
2. BROWN VENDERS: All Brown Venders with the hole in the present position will use Ardac Downstacker.  
Beginning Serial Number 0001-2809.
3. DR PEPPER CENTURY II
  - a. 79 1/2", 72", and 66" High x 37" Wide Venders - Use Ardac Downstacker  
Beginning Serial Number 0001-2817.
  - b. 72" and 66" High x 28" Wide Venders - Use Ardac Downstacker  
Beginning Serial Number 0001-2862.
4. PEPSI MAGNUM
  - a. 79 1/2" and 72" High x 37" Wide Venders - Upper opening allows the Ardac Downstacker to be used. (See Serial Numbers below).
  - b. Beginning with S/N0001-2819 Thru S/N0001-2828 2 Validator Openings Were Provided - One of which was Ardac.
  - c. Beginning with S/N0001-2829 Upper Validator Opening was removed and this was the Ardac opening. Certain Pepsi Magnums will have two (2) openings, one of which will be for Ardac. Also Ardac Validators can be installed on "production venders" if the request is prearranged by the customer.
  - d. Beginning with S/N0001-2838
  - e. Beginning with S/N0001-2870 72" High x 28" Wide Venders. Use Ardac Downstacker. Certain Pepsi Magnums will have (2) two openings, one of which will be for Ardac. Also, Ardac Validators can be installed on "production venders" if the request is prearranged by the customer.
  - f. 66" High Venders - None of the validators will fit.

SEE FOLLOWING

PAGES:

Page 3 - A8640.05 - Installation Instructions - Ardac Bill Validator  
in Dixie-Narco Display Vender. (BROWN)

Order As: B/M 353,010,100.04-Ardac Bill Validator Kit

Page 4 - A8650.05 - Installation Instructions - Ardac Bill Validator  
in all Dixie-Narco Venders except Brown Display  
type, Pepsi Magnum, and Dr Pepper Century II.

Order As: B/M 323,010,100.04-Ardac Bill Validator Kit

Page 5 - A8660.05 - Installation Instructions - Ardac Bill Validator in  
Dixie-Narco Magnum and Dr Pepper Century II Vender.

Order As: B/M 383,010,400.04-Ardac Bill Validator Kit

Page 6-11 - Ardac Installation Instructions

A8640.05

## INSTALLATION INSTRUCTIONS

## ARDAC BILL VALIDATOR IN DIXIE-NARCO DISPLAY VENDER (BROWN)

ORDER AS: B/M353,010,100.04 - Ardac Bill Validator Kit - Blue Box System

Your Bill Validator Kit for this vender consists of:

- (1) 805,501,030.01 - Ardac Acceptor
- (1) 805,501,040.01 - Ardac Stacker
- (1) 805,501,050.01 - Ardac Control Box
- (1) 805,501,060.01 - Ardac Wiring Harness
- (1) B803,823,460.01 - Ardac Mounting Plate Label
- (1) B360,011,000.23 - Validator Cover Plate (for mounting Acceptor)
- (8) 900,800,500.01 - 8-32 Keps Nuts
- (8) 901,901,060.01 - Wire Ties
- (1) B360,010,140.53 - Rain Shield
- (2) 900,700,020.01 - #8 Flat Washer
- (1) A802,001,020.01 - Gasket - Validator

1. Remove Validator Filler Plate from front door of vender by removing four (4) nuts from studs. If opening is covered with woodgrain vinyl, cut vinyl, leaving enough to fold back over edges of opening.
2. Put gasket on validator cover plate, insert LED lamp down thru keyway into round hole, put Ardac label on front of plate and secure plate to studs using four (4) nuts removed in step one with LED light at top.
3. Insert slotted end of rain shield through cover plate from outside of door. Put slots over the 2 upper studs, place 1 flat washer on each bottom stud, then place acceptor on cover plate studs and use four (4) nuts from kit to fasten. Make sure acceptor is down as far as it can go on bottom studs and then tighten nuts.
4. Hold Stacker with its hinged door to your right, lift spring loaded latch (on acceptor) and slide stacker onto bottom tracks on acceptor. Make sure spring loaded latch is in notch on stacker.
5. Place control box on the four (4) studs provided for it on the front door panel to the right of the acceptor and stacker. Fasten with four (4) 8-32 nuts.
6. After running harness according to page 10 or 11, use wires to coil harness and take up slack, turn to page 6.

A8650.05  
INSTALLATION INSTRUCTIONS

ARDAC BILL VALIDATOR IN ALL DIXIE-NARCO  
VENDERS EXCEPT BROWN DISPLAY TYPE, PEPSI MAGNUM & DR PEPPER CENTURY II

ORDER AS: B/M 323,010,100.04 - Ardac Bill Validator Kit - Blue Box System

Your Bill Validator Kit for this vender consists of:

- (1) 805,501,030.01 - Ardac Acceptor
- (1) 805,501,040.01 - Ardac Stacker
- (1) 805,501,050.01 - Ardac Control Box
- (1) 805,501,060.01 - Ardac Wiring Harness
- (1) B803,823,460.01 - Ardac Mounting Plate Label
- (1) B360,011,000.23 - Validator Cover Plate (for mounting Acceptor)
- (4) 900,800,500.01 - 8-32 Keys Nuts
- (4) 900,301,500.01 - 8 x 1/2 Self Drilling Screws
- (8) 901,001,060.01 - Wire Ties
- (1) B360,010,140.53 - Rain Shield
- (2) 900,700,020.01 - #8 Flat Washer
- (1) A802,001,020.01 - Gasket - Validator

1. Remove Validator Filler Plate from front door of vender by removing four (4) nuts from studs.
2. Put gasket on validator cover plate, insert LED lamp down thru keyway into round hole, put Ardac label on front of plate and secure plate to studs using four (4) nuts removed in step one with LED light at top.
3. Insert slotted end of rain shield through cover plate from outside door. Put slots over the 2 upper studs, place (1) flat washer on each bottom stud, then place acceptor on cover plate studs and use four (4) nuts from kit to fasten. Make sure acceptor is down as far as it can go on bottom studs and then tighten nuts.
4. Hold stacker with its hinged door to your right, lift spring loaded latch (on acceptor) and slide stacker onto bottom tracks on acceptor. Make sure spring loaded latch is in notch on stacker.
5. Locate control box mounting holes provided in main door stiffener plate (bottom door near hinge side) and fasten Control Box, using four (4) sheet metal screws from kit.
6. After running harness according to page 10 or 11, use wires to coil harness and take up slack, turn to page 6.

A8650.05

A8660.05  
INSTALLATION INSTRUCTIONS

ARDAC BILL VALIDATOR IN DIXIE-NARCO PEPSI MAGNUM & DR PEPPER CENTURY VENDERS

ORDER AS: B/M 883,010,400.04 - Ardac Bill Validator Kit - Blue Box System

Your Bill Validator Kit for this vender consists of:

- |                                                                                                                                                                                                                                                                                                                                                                                                                                                                                                                                                                                                                                                               |  |
|---------------------------------------------------------------------------------------------------------------------------------------------------------------------------------------------------------------------------------------------------------------------------------------------------------------------------------------------------------------------------------------------------------------------------------------------------------------------------------------------------------------------------------------------------------------------------------------------------------------------------------------------------------------|--|
| <ul style="list-style-type: none"> <li>(1) 805,501,030.01 - Ardac Acceptor</li> <li>(1) 805,501,040.01 - Ardac Stacker</li> <li>(1) 805,501,050.01 - Ardac Control Box</li> <li>(1) 805,501,060.01 - Ardac Wiring Harness</li> <li>(1) 803,823,460.01 - Ardac Mounting Plate Label</li> <li>(1) B383,010,000.25 - Validator Cover Plate (for mounting Acceptor)</li> <li>(8) 801,804,860.01 - 1/4" Stand Off (Spacers)</li> <li>(8) 900,800,500.01 - 8-32 Nuts</li> <li>(4) 900,301,560.01 - 8-32 SFMS Screws</li> <li>(8) 901,901,060.01 - Wire Ties</li> <li>(1) B383,010,050.63 - Rain Shield</li> <li>(1) A802,001,000.01 - Gasket - Validator</li> </ul> |  |
|---------------------------------------------------------------------------------------------------------------------------------------------------------------------------------------------------------------------------------------------------------------------------------------------------------------------------------------------------------------------------------------------------------------------------------------------------------------------------------------------------------------------------------------------------------------------------------------------------------------------------------------------------------------|--|

1. Remove Top Validator or Filler Plate from front door of vender by removing four (4) nuts from studs.
2. Put gasket on validator cover plate, insert LED lamp down thru keyway into round hole, put Ardac label on front of plate and secure plate to studs using four (4) nuts removed in step one with LED light at top.
3. First, place two (2) of the 1/4" stand offs on each cover plate stud, then insert slotted end of rain shield through cover plate from outside of door. Put slots over the upper studs (on top of the spacers) and then place acceptor on cover plate studs and use four (4) nuts from kit to fasten. Make sure acceptor is down as far as it can go on bottom studs and then tighten nuts.
4. Hold stacker with its hinged door to your right, lift spring loaded latch (on acceptor) and slide stacker onto bottom tracks on acceptor. Make sure spring loaded latch is in notch on stacker.
5. Locate control box mounting holes provided in ballast cover at bottom of main door. Remove ballast cover and fasten control box to it using four (4) 8-32 screws and nuts provided. Control Box is located with "Ardac" logo to right reading downwards.
6. After running harness according to page 10 of 11, use wires to coil harness and take up slack, turn to page 6.

A8660.05

VENDER WITH ARDAC VALIDATOR  
FACTORY INSTALLED

ARDAC VALIDATOR IS  
UL APPROVED

Procedure Applies to Retrofit Kits also.

1. See Functions SW information, Page 8 before proceeding. Do not "plug in" Vender at this time. The Stacker is packaged separately in the vender. Slide it carefully onto the rails of the acceptor. Make sure it latches. See Fig. 1 - Page 9. Plug into Stacker electrically either side.
2. Install a Coin Changer:
  3. Fill changer with coins - Nickels, Dimes, and Quarters. (Coinco does not have a dime tube).
    - \*Put product in at least two (2) columns so that these two (2) sold out lamps go "out". "PLUG IN" the Vender.
    - Look at correct change lamp, if it is "on" "flip" pay out switches of coin changer to pay out coins. Lamp should go off.
  4. Locate Status Display on the control box at bottom of Main Door.

O Zero, blipping should appear on Status Display. It blips for a short time and disappears. Dot continues to blip.

5. Insert a \$1 bill into acceptor at front of vender (George Washington's face up). Run thru - several \$1 bills.
6. Open door of stacker and watch bills stack inside.
  - To remove bills, push switch - Fig. 1A, Page 9. Quickly grasp bills and remove.
7. Refer to Status Display in Control Box for explanation and correction if the numbers appear.

| <u>Numeral Showing Is</u> | <u>Indicates</u>  | <u>Explanation and/or Correction</u>                                                                                                                                                                                                                                                         |
|---------------------------|-------------------|----------------------------------------------------------------------------------------------------------------------------------------------------------------------------------------------------------------------------------------------------------------------------------------------|
| 0                         | Power Up - O.K.   | Electrically set up<br>Ready for operation.                                                                                                                                                                                                                                                  |
| 1                         | Note In Escrow    | There is no escrow.<br>1 should not appear                                                                                                                                                                                                                                                   |
| 2                         | Note(s) Inhibited | Will not accept \$1 bill <ol style="list-style-type: none"> <li>a. Check for coins in changer tubes.</li> <li>b. If correct change lamp "on" flip payout switches to pay-out coins from changer.</li> <li>c. Check to see if all Sold Out Lamps are on,<br/>If so put in product.</li> </ol> |

For \$ Validator Assistance, Phone  
Dixie-Narco Service  
800/624-0553  
304/725-3481

Numerals Showing IsIndicatesExplanation and/or Correction

2 (cont'd)

- d. Check to see if Vend Relay is "On", i.e., energized. If so, push a select button to cancel the credit.
- e. Check electrical connections at Ardac components.
- f. If "Check Out" is OK - replace Control Box

3

Check Stacker

- a. Open stacker door for any obstruction.
- b. Push switch momentarily, Fig. 1-A, stacker should run and cycle to stop.
- c. Check electrical connections at Ardac components.
- d. If not corrected, replace Stacker.

4

Adjust Mag.

- a. Will not accept \$1 bills, locate Mag Gain on Control Box to left of stacker display.
- b. Push Function SW1 to "ON". Acceptor Motor will run.
- c. While running, turn Adjusting Screw clockwise all the way. Slowly turn adjusting screw counterclockwise till 4 disappears. Now turn adjusting screw slightly counterclockwise equal to hour hand movement from one clock numeral to the other. Turn Function SW1 to Off.

5

Check position Sensors in Acceptor

- a. Sensors cannot be adjusted except by Factory.
- b. Check electrical connections between acceptor and control box.
- c. If this does not correct replace acceptor.

6

Check Mag. in Acceptor

- a. Mag. Head cannot be adjusted except by factory.
- b. Check electrical connections between acceptor and control box.
- c. If this does not correct, replace Acceptor.

7

Check Transport (Acceptor and Transport are the same part)

- a. Remove the Acceptor.
- b. Look for dirt or foreign matter.
- c. Correct by turning white gear and running a \$1 bill thru the Acceptor by hand.
- d. Check electrical connections between acceptor and control box.
- e. If not corrected, replace the acceptor.

| <u>Numeral</u> | <u>Showing Is</u> | <u>Indicates</u> | <u>Explanation and/or Correction</u>                                                                                                                                                                                                                                                                                                                                                                                                                                       |
|----------------|-------------------|------------------|----------------------------------------------------------------------------------------------------------------------------------------------------------------------------------------------------------------------------------------------------------------------------------------------------------------------------------------------------------------------------------------------------------------------------------------------------------------------------|
| 8              |                   | Check Program    | Should never appear on Status Display - does not apply.                                                                                                                                                                                                                                                                                                                                                                                                                    |
| 9              |                   | Clear Jam        | a. If jammed \$1 bill in acceptor cannot be pulled out, remove the acceptor and disconnect electrically.<br>b. Turn white gear side of acceptor back and forth by hand while at the same time straighten \$1 bill to release it.<br>c. If \$1 bill's are jammed in stacker, remove bills.<br>d. Run numerous bills thru acceptor into stacker and observe bills being stacked.<br>e. Operate cycle switch numerous times.<br>f. If this does not correct, replace stacker. |
|                |                   | Control Box      | If Status Display does not "light up",<br>a. Check electrical power source.<br>b. Check "circuit breaker" right side edge of control box to see if White is showing.<br>c. Determine reason for Circuit Breaker out - then reset.<br>d. If this does not correct, replace Control Box.                                                                                                                                                                                     |

For \$ Validator Assistance, Phone  
 Dixie-Narco Service  
 800/624-0553  
 304/725-3481

### Function SW

Locate the Function Switches on the Control Box.

Function Switches 1, 3, and 4 should be in Off position } Explanation is as follows  
 Function Switch 2 should be in On position

- 1 - ON - Test/Set Mag.  
 OFF - Normal Mode  
 In the "ON" position, the acceptor motor will run continuously. See Status Display 4, Page 7.
- 2 - ON - Bill One Dir.  
 OFF - Bill Two Dir.  
 In ON position, bills are accepted in one direction only.
- 3 - ON - Data Dump  
 OFF - Normal Mode  
 Leave in OFF position (Data Dump Not Applicable)
- 4 - ON - \$1 eq 4 pulses  
 OFF - \$1 eq 1 pulse  
 Leave in OFF position.  
 In ON position, incorrt change will pay out.

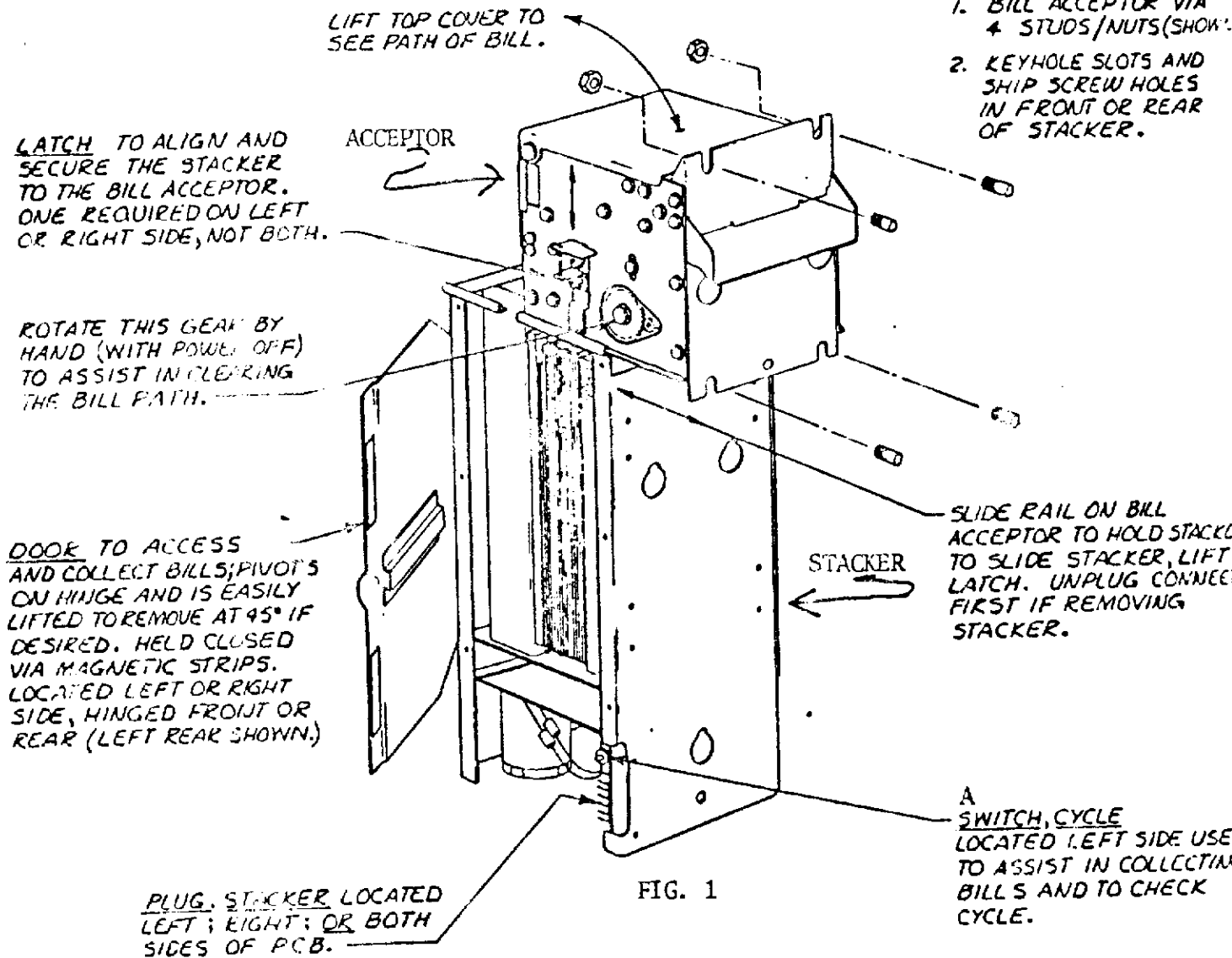


# SPECIFY THE ARDAC MBA

Service Bulletin #291

## MOUNTING:

1. BILL ACCEPTOR VIA 4 STUDS/NUTS (SHOW...)
2. KEYHOLE SLOTS AND SHIP SCREW HOLES IN FRONT OR REAR OF STACKER.

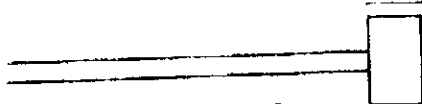


POWER 120 V.A.C.  
FROM MACHINE SOURCE



\*NOTE: POWER AND COMMUNICATIONS HARNESSING CAN BE COMBINED OR SEPERATE. THEY WILL DIFFER FOR MACHINES OF VARIOUS MANUFACTURERS. ALWAYS SPECIFY MACHINE TYPE AND MODEL.

## COMMUNICATIONS \*



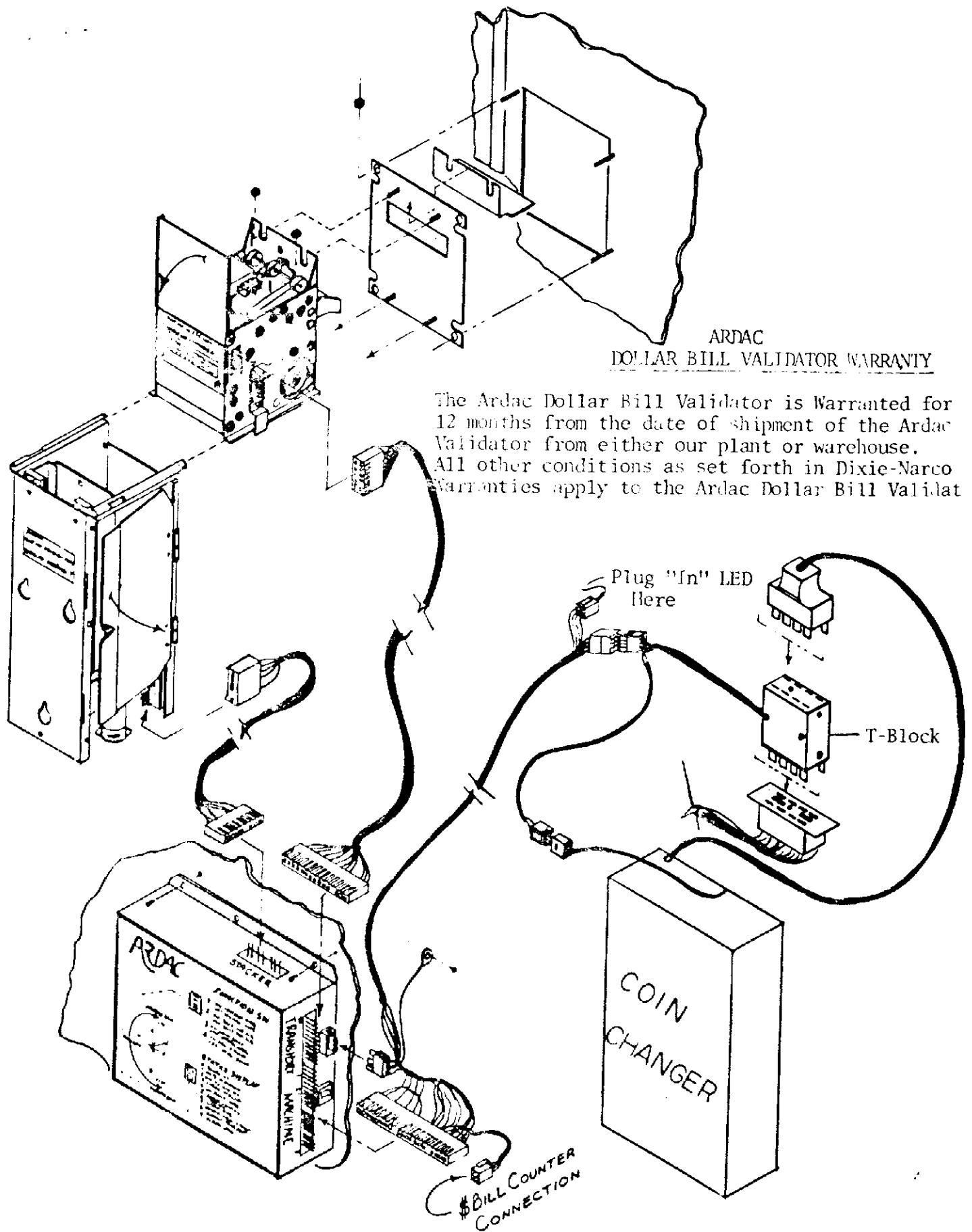
LED- WHEN LIT USE COINS ONLY OR HUSH (CERTAIN)

CONNECTOR TO MACHINE FOR FUNCTIONS: ENABLE- DISABLE BILL ACCEPTS ESCROW MODE (ON-OFF-ACCEPT- RETURN) VEND OR CREDIT FOR BILL SECURED.

Manufacturers'  
Bill  
Acceptor

# ARDAC

Ardac Inc. 31000 Volkes Drive, Eastlake, Ohio 440  
(216) 951 3440

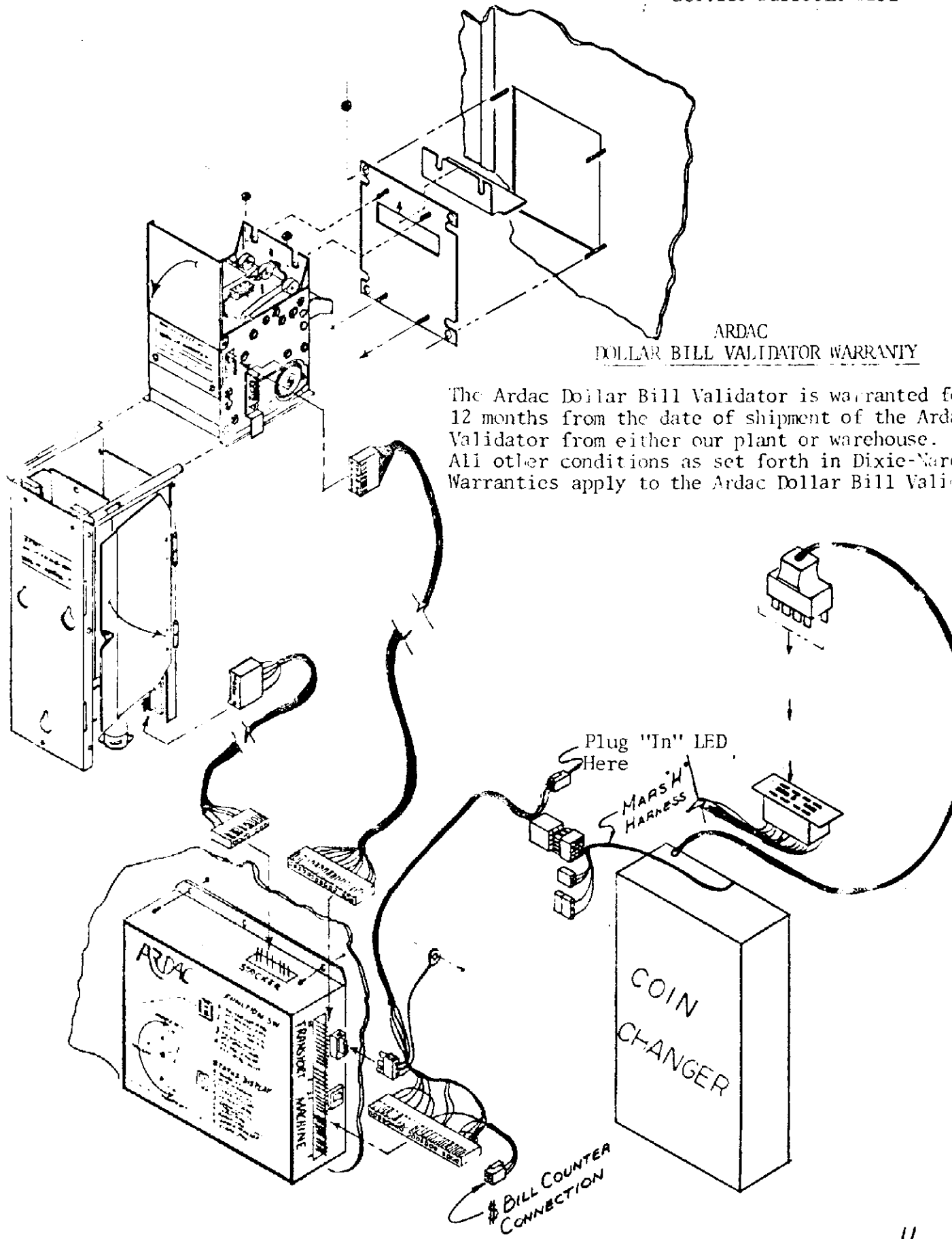


ARDAC  
DOLLAR BILL VALIDATOR WARRANTY

The Ardac Dollar Bill Validator is Warranted for 12 months from the date of shipment of the Ardac Validator from either our plant or warehouse. All other conditions as set forth in Dixie-Narco Warranties apply to the Ardac Dollar Bill Validator.

COMPONENT AND POINT TO POINT  
WIRING HARNESS CONNECTIONS BLUE BOX SYSTEM





COMPONENT AND POINT TO POINT  
WIRING HARNESS CONNECTIONS BLUE BOX SYSTEM

